

Quick Start Guide

ReadyNet EasyJack2
CONNECTIVITY SIMPLIFIED

All Installations

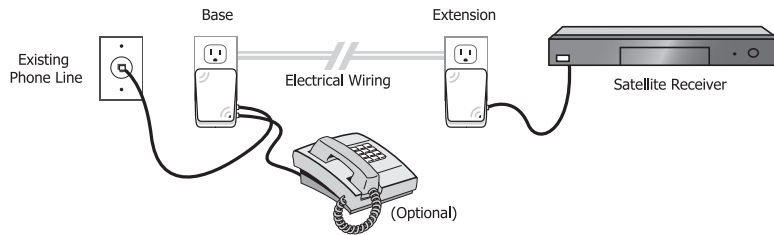


Base Unit: **Install First**

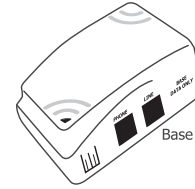


Extension Unit: **Install Second**

Satellite Receiver Installation



All Installations

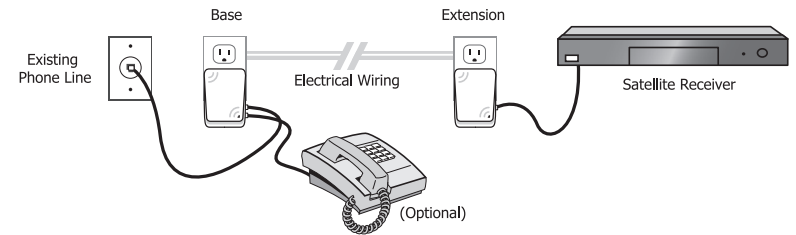


Base Unit: **Install First**

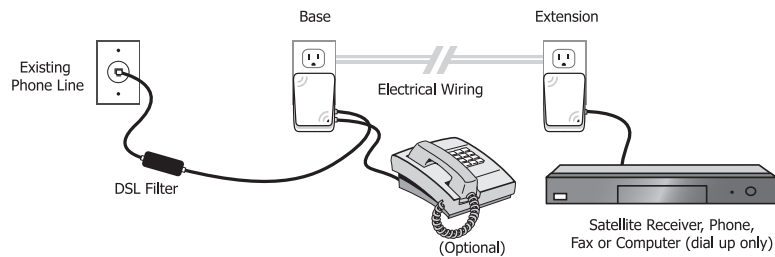


Extension Unit: **Install Second**

Satellite Receiver Installation

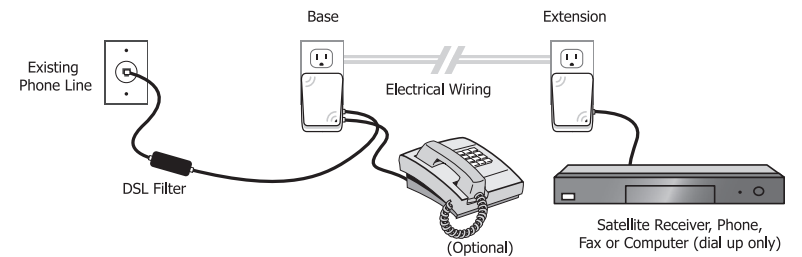


DSL Filter Installation



See reverse for additional configurations

DSL Filter Installation

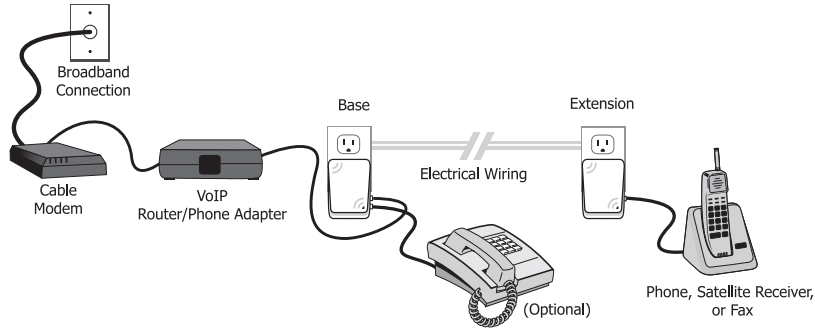


See reverse for additional configurations

Quick Start Guide

ReadyNet EasyJack2
CONNECTIVITY SIMPLIFIED

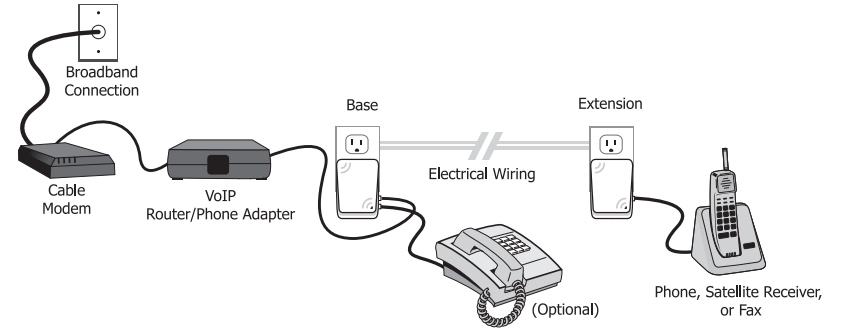
VOIP Installation



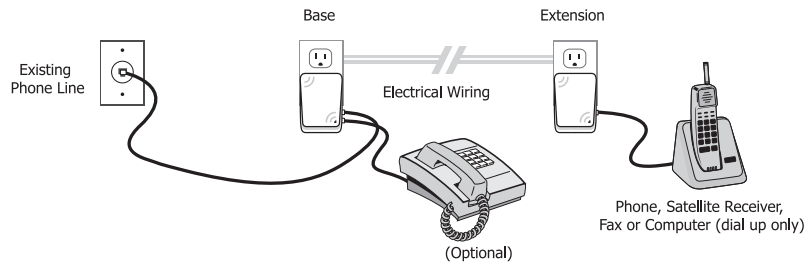
Quick Start Guide

ReadyNet EasyJack2
CONNECTIVITY SIMPLIFIED

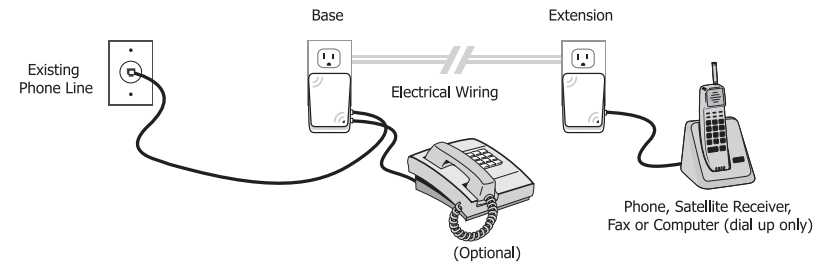
VOIP Installation



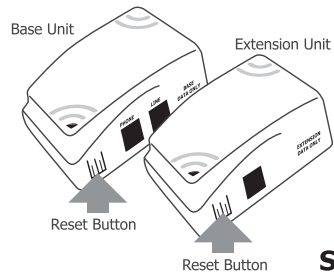
Phone or Fax Installation



Phone or Fax Installation



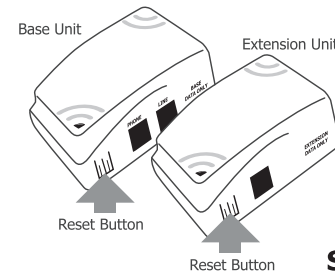
Resetting the Easy Jack



1. Unplug base from electrical outlet for 10 seconds. Plug in again.
2. Press reset on base (light will flash orange).
3. Press reset on each extension (base light still flashing orange).
4. Press reset on base to return to solid color.

See reverse for additional configurations

Resetting the Easy Jack



1. Unplug base from electrical outlet for 10 seconds. Plug in again.
2. Press reset on base (light will flash orange).
3. Press reset on each extension (base light still flashing orange).
4. Press reset on base to return to solid color.

See reverse for additional configurations